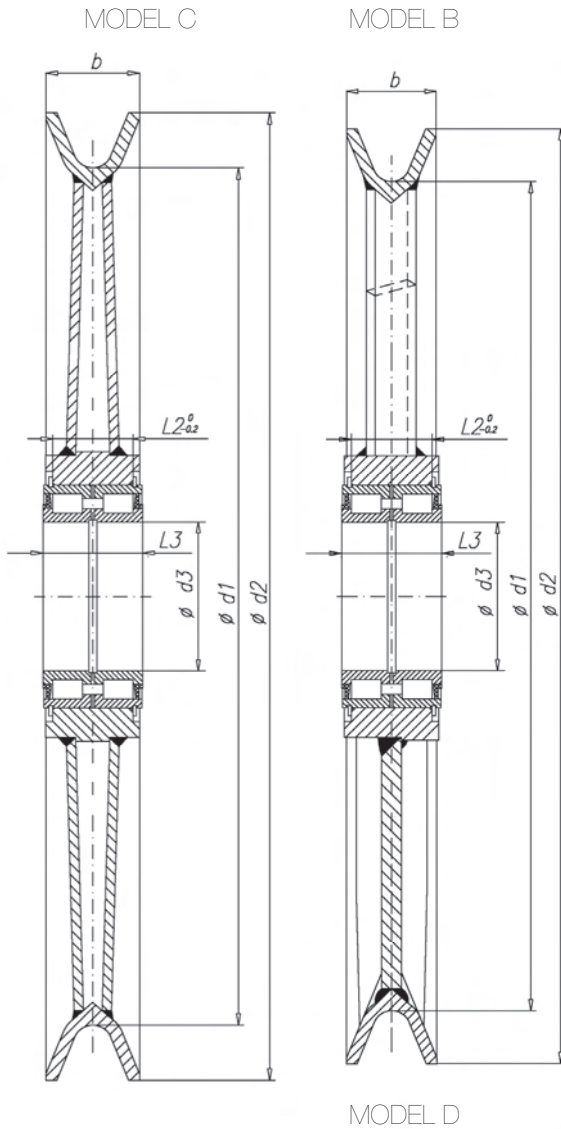


Շեղանակ B-D Y C

SHEAVE MODEL B-D Y C "With roller bearing, form X"



It complies with the International Standards.
Material (steel):
- Rim and plates-S355J2
- Hub-St52.0
Standard hardness: 200-250 HB
(higher if requested).
Default final protection : primer layer.
(Other final coatings by request).
Relation: D1 approx. 23-28 x wire diameter.
Roller bearing SL04 serial. (NNF).

DESCRIPTION

REF.: 030.105

TECHNICAL DATA	SHEAVE N°	d1	Ø WIRE	d2	d3	b	L2	L3
	1	400	16	455	80	46	49	60
	2	450	18	510	80	51	49	60
	3	500	20	570	90	56	54	67
	4	560	22	630	100	58	54	67
	5	560	20	630	140	56	77	95
	6	630	26	710	110	67	65	80
	7	630	22	700	150	58	81	100
	8	710	28	790	120	68	65	80
	9	710	26	790	170	67	99	122
10	800	32	890	130	77	77	95	
11	800	28	880	180	68	110	136	
12	900	36	1.010	140	89	77	95	
13	900	32	990	200	77	120	150	
14	1.000	36	1.110	220	89	134	160	
15	1.120	40	1.240	240	98	134	160	
16	1.250	44	1.380	260	106	154	190	

* Under special order, we will be able to produce other measures.